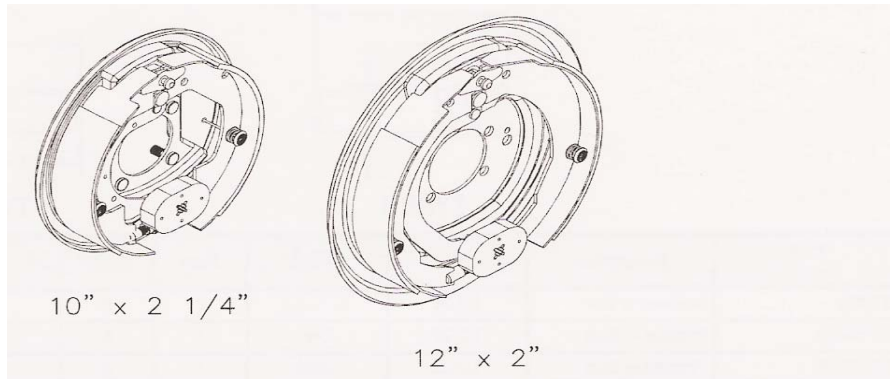


Brakes

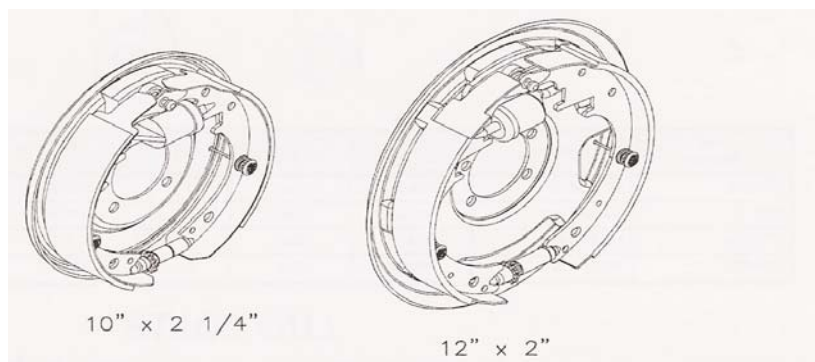


Electric Brakes Backing Plates



| Left Hand Part # | Right Hand Part # | Description | Capacity |
|------------------|-------------------|--------------------|----------|
| BP10E20LH | BP10E20RH | 10" Electric Brake | 2,000# |
| BP12E35LH | BP12E35RH | 12" Electric Brake | 3,500# |

Hydraulic Brakes Backing Plate



| Left Hand Part # | Right Hand Part # | Description | Capacity |
|------------------|-------------------|---------------------|----------|
| BP10H20LH | BP10H20RH | 10" Hydraulic Brake | 2,000# |
| BP12H35LH | BP12H35RH | 12" Hydraulic Brake | 3,500# |

Please Note: Specification May Vary by Manufacturer